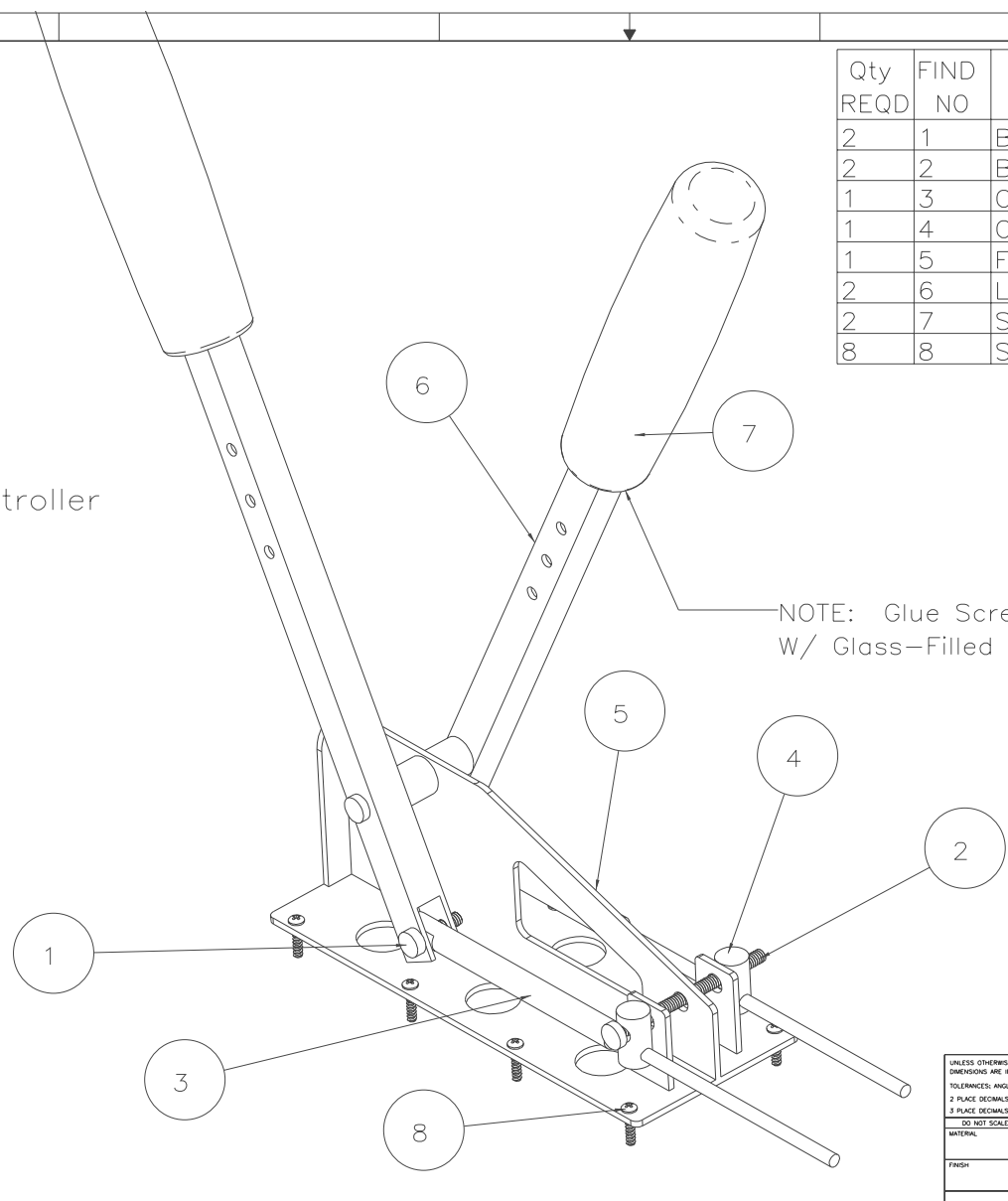


Rave Trim Controller

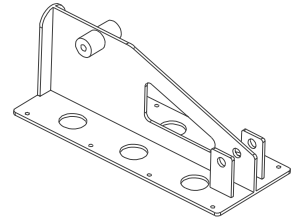
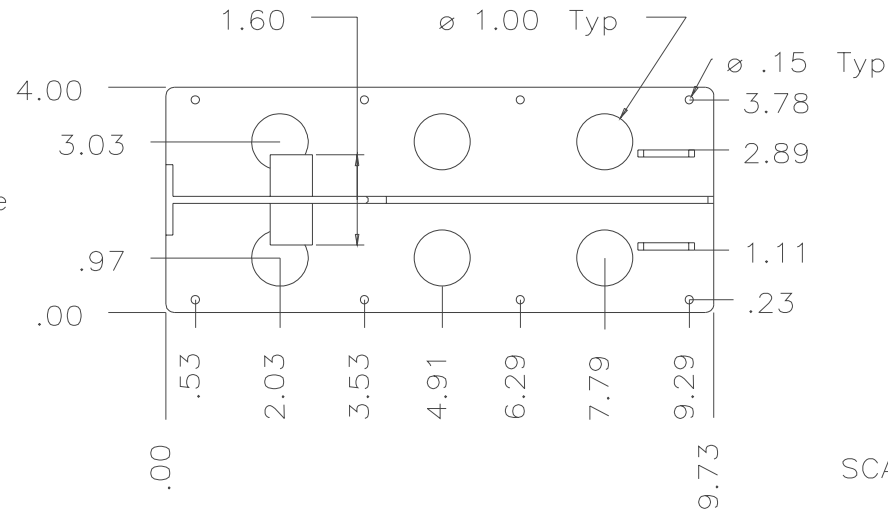


Qty REQD	FIND NO	PART NO
2	1	BOLT-1IN-X--250-X-20
2	2	BOLT-3.5IN-X--250-X-20
1	3	CONTROL-CABLE-TELEFLEX-CC17916
1	4	CONTROL-CABLE-TELEFLEX-CC17916_
1	5	FRAME
2	6	LEVER
2	7	SCREW-DRIVER
8	8	SCREW-SELF-TAP-NO_6-X--750

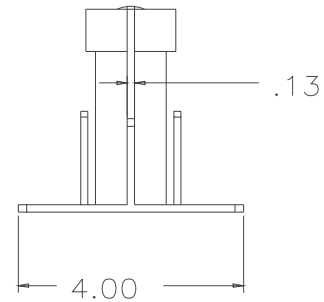
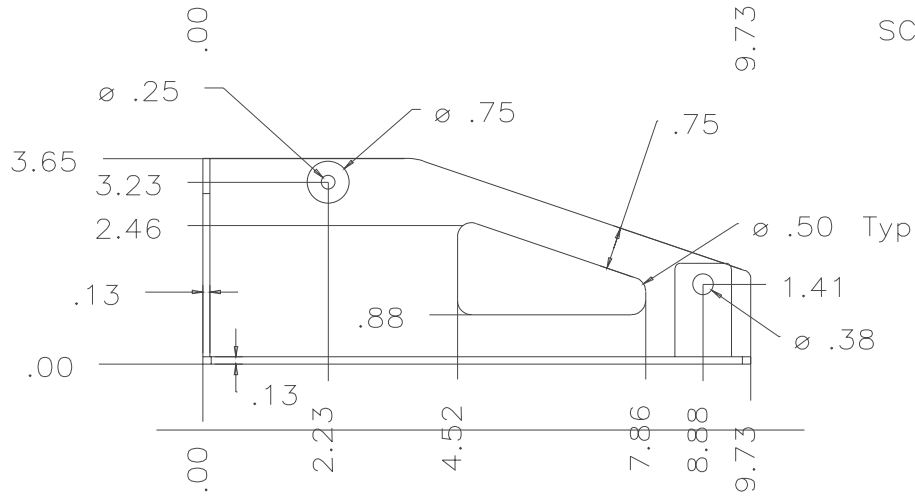
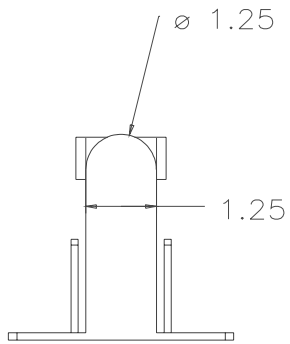
NOTE: Glue Screwdriver To Lever
W/ Glass-Filled Bondo

UNLESS OTHERWISE SPECIFIED: DIMENSIONS ARE IN INCHES		Sabine Inc.	
TOLERANCES: ANGLES ±	0.5	1330 U.S. Hwy 441 Atachua, Florida 32615	
2 PLACE DECIMALS ±	0.01		
3 PLACE DECIMALS ±	0.003		
DO NOT SCALE THIS DRAWING			
MATERIAL:	DRAWN	APPROVALS	DATE
	ENGINEER		
	CHECKED		
	ISSUED		
FINISH	COPYRIGHT 2000 COMPANY CONFIDENTIAL	SIZE	DRAWING NO
		D	TRIM-CONTROL-101005
		SCALE	0,500
		DATE	0ct 4, 2000
		SHEET	3
		REV	1

Control Frame



SCALE 0.500

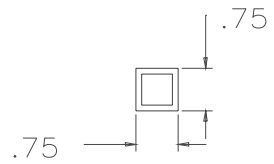


SCALE 1.000

Material: Aluminum Sheet – Welded
 Note: Break Edges
 Finish: None

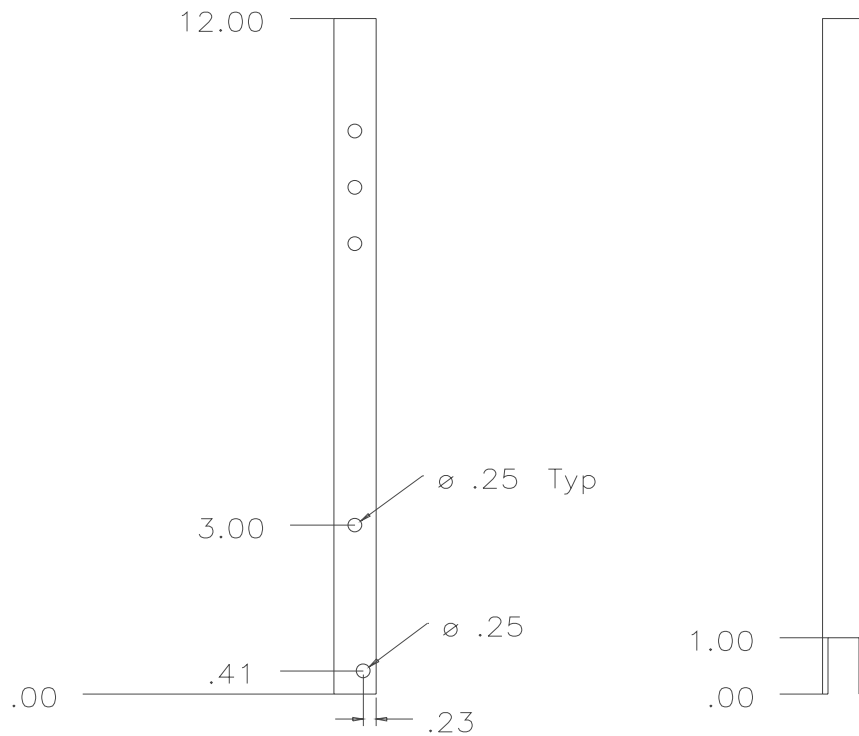
DRAWING NO	
TRIM-CONTROL-001005	
Inspection Dimensions Are Circled	
Unless Otherwise Specified, Use Corresponding IGES Files For Dimensions	
SIZE	REV
D	1
SCALE	SHEET
0.500	ZF 3

MULTI SHEET



Control Lever

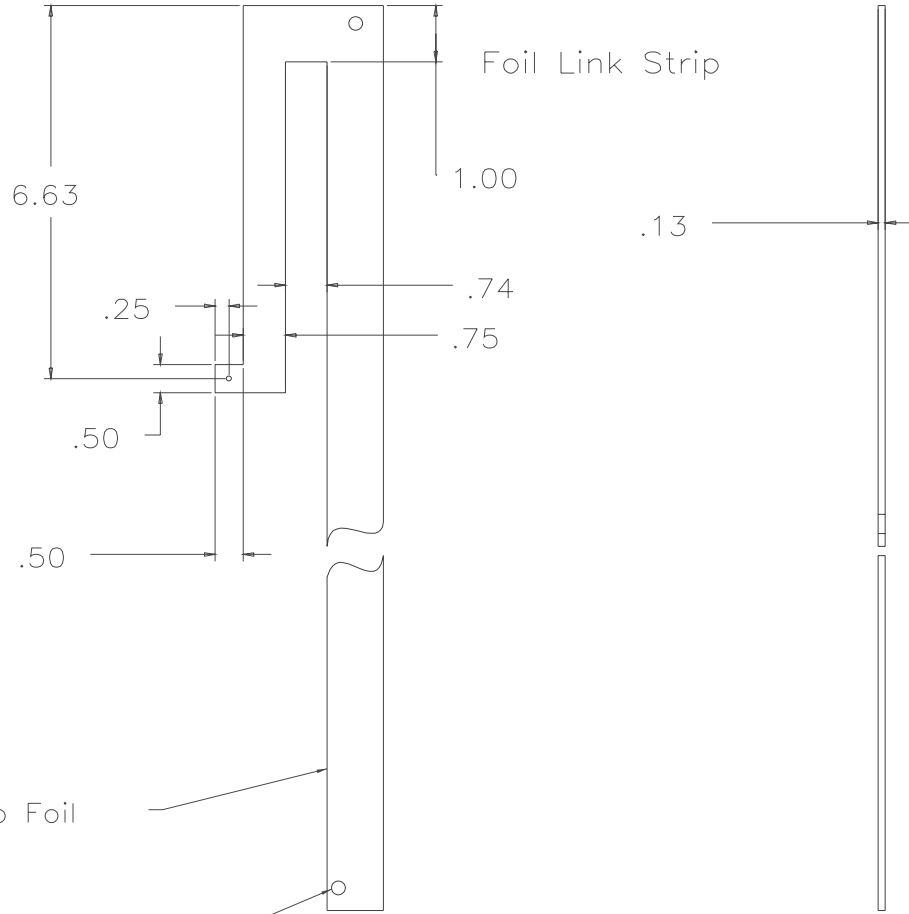
Material: Aluminum Rectangle
 Note: Break Edges
 Finish: None
 Quantity: 2 each



SCALE 1.000

DRAWING NO		
TRIM-CONTROL-001005		
Inspection Dimensions Are Circled		
Unless Otherwise Specified, Use Corresponding IGES Files For Dimensions		
SIZE	Copyright Sabine 2001	REV 1
SCALE 0.500	SHEET 3P	3

MULTI SHEET



Foil Link Strip

Material: Aluminum
 Finish: None
 Quantity: 2 each

Aug 11, 2001

Links Wand To Foil

Note Hole Position

DRAWING NO		TRIM-1	
Inspection Dimensions Are Circled			
Unless Otherwise Specified, Use Corresponding IGES Files For Dimensions			
SIZE	Copyright Sabine 2001	REV	1
SCALE	0.200	SHEET	1 OF 1

MULTI SHEET